



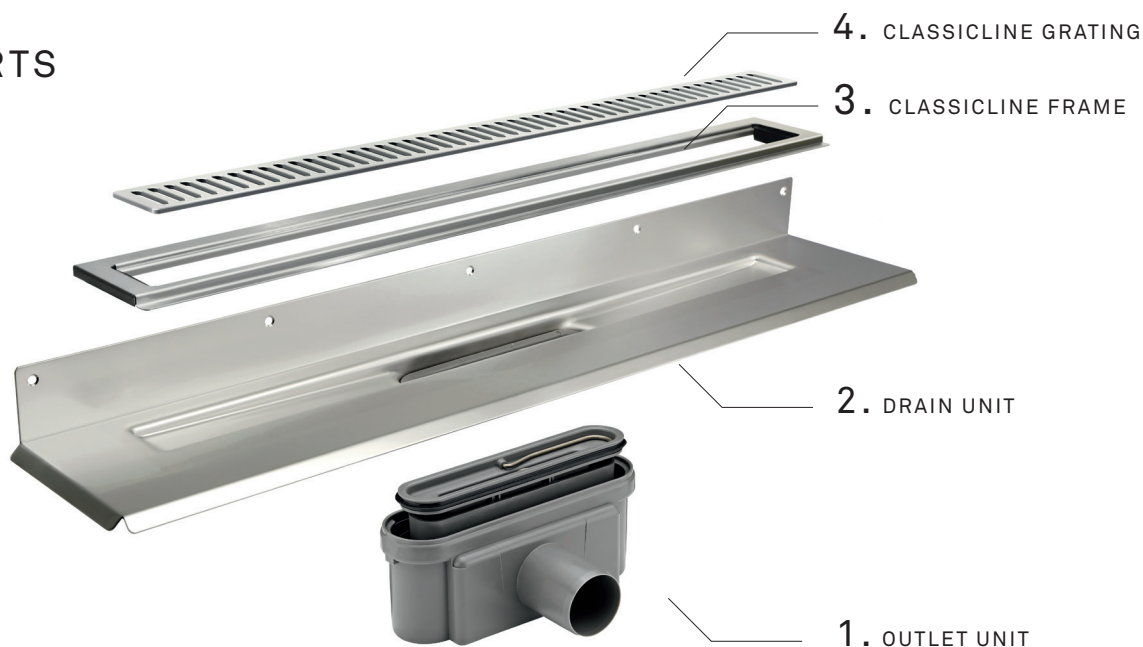
**IDEAL FOR
PREFAB PODS**

EN 1253
approved
Installation height
from
81 mm

SAFE CONSTRUCTION

The smart Unidrain invention is made out of one single piece of metal, making it safe and easy to apply all types of wet room membranes. The unique patented flanges further improve the wet room security, leaving no room for leaks in the transition between the drain, the wall and the floor. The safe construction, easy installation and the variety of design choices will be an advantage for any manufacturer of prefabricated pods.

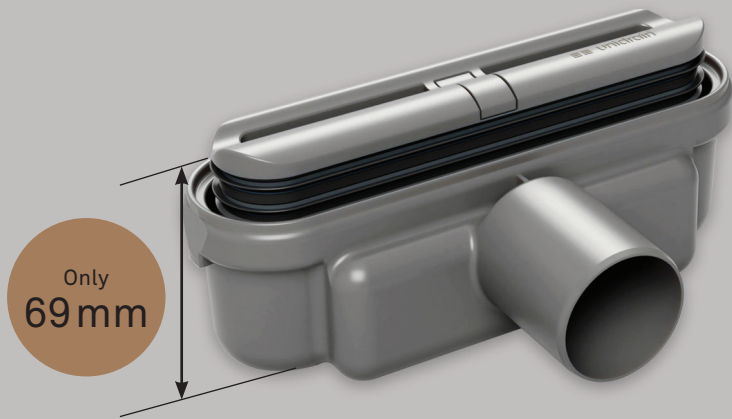
4 PARTS



Unidrain's unique structure is patented in Europe (no. 1287213) and patents have been applied for in a number of countries all over the world. Unidrain® is a registered trademark.

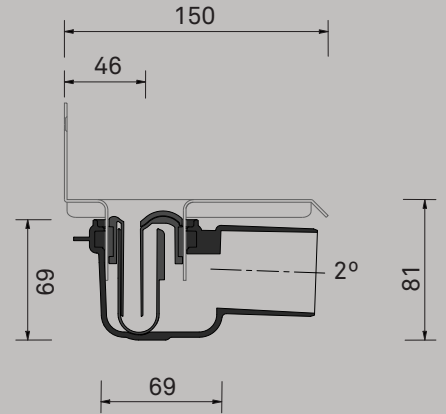
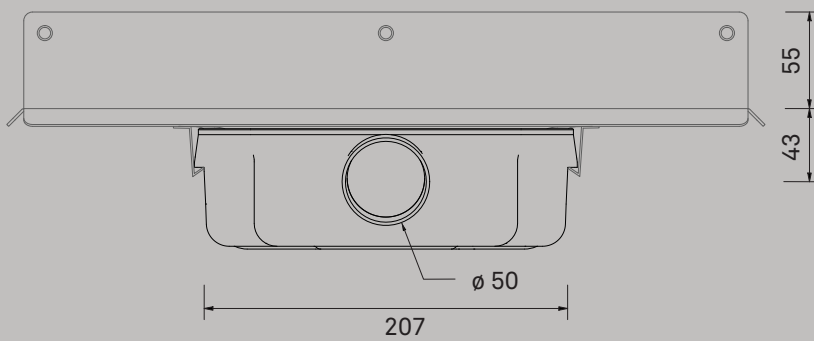


- > MANY YEARS
OF EXPERIENCE IN
THE PREFAB MARKET
- > GREAT FLEXIBILITY
- > FAST DELIVERY
- > HIGH CAPACITY
- > BEST QUALITY
- > SCANDINAVIAN DESIGN
AT ITS BEST



- EXTRA LOW INSTALLATION HEIGHT
- EN1253 APPROVED

1004.0300



1. OUTLET UNIT



1418.0050
Ø 50 mm
Capacity 0,6 l/s
Height 69 mm



1411.0050
Ø 50 mm
Capacity 0,91 l/s
Height 86 mm



1417.0050
Ø 50 mm
Capacity 0,6 l/s
Height 52 mm



1312.0075
Ø 75 mm
Capacity 1,7 l/s
Height 96 mm



1416.0050
Ø 50 mm
Capacity 0,8 l/s
Height 86 mm

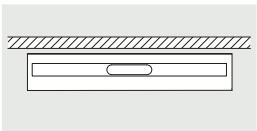


1415.0050
Ø 50 mm
Capacity 0,8 l/s
Height 86 mm

2. DRAIN UNIT



1004
Shower niche/bathroom
with distance to side walls

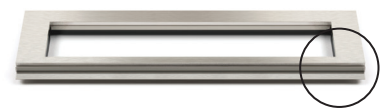


3. FRAME



CLASSICLINE

The height of the frame (8, 10 or 12 mm) depends on the thickness of the floor tile. The frame is mandatory and has a double function: to support the grating and provide a perfect flush finish with the tiled floor.



HIGHLINE

The height of the frame (10, 12, 15 or 25 mm) depends on the thickness of the floor tile. The frame is designed to emphasise the exclusive design of the floor drain. The frame is mandatory (except for the Custom solution).

4. GRATINGS & PANELS

CLASSICLINE GRATING



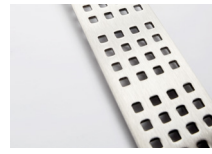
CLASSIC



COLUMN



INCA



SQUARE



STRIPE



ANNIVERSARIO

HIGHLINE PANEL



BRUSHED STEEL



BRUSHED BLACK
PVD-treated surface



BRUSHED BRASS
PVD-treated surface



BRUSHED COPPER
PVD-treated surface



HAND-POLISHED STEEL



CUSTOM
mounted with a floor tile
as required.



CASSETTE
with edges on all sides, for use with any
material. Ideal for e.g. terazzo floors.

BENEFITS OF THE UNIDRAIN LINE DRAIN

- MADE OUT OF ONE SINGLE PIECE OF METAL
- INCREASED WET ROOM SECURITY
- PATENTED WALL FLANGES REDUCES
THE RISK OF WET ROOM DAMAGE
- IDEAL FOR UPSIDE DOWN INSTALLATION
- EASY AND FAST INSTALLATION
- SAVES TIME IN COMPLETION OF PODS
- APPROVALS IN MAJOR MARKETS
- UNIFORM RESULT EVERY TIME
- INCREASED EFFICIENCY

SELECTED REFERENCES

RESIDENTIAL

- **Project:** Norra Tornen And Helix Towers
Stockolm, Sweden
Quantity: 380 units
- **Project:** Canary Warf, Wood Warf A1-2-3
London, UK
Quantity: 1425 units
- One Crown Place
London, UK
Quantity: 291 units
- 1 Bishops Gate Plaza
London, UK
Quantity: 200 units

HOTELS

- Mayfair Park Residence
London, UK
Quantity: 50 units
- **Project:** 5 Stars Hotel
Kingdom of Eswatini
Quantity: 300 units
- **Project:** Hotel Britannia
Trondheim, Norway
Quantity: 168 units
- Hotel Post
Göteborg, Sweden
Quantity: 40 units

CONTACT



René Risom
Export Sales Manager
M +45 2889 7490
rer@unidrain.dk



Julia Weise Hllum
International Key Account Manager
T +45 2081 5138
julia.hellum@unidrain.dk